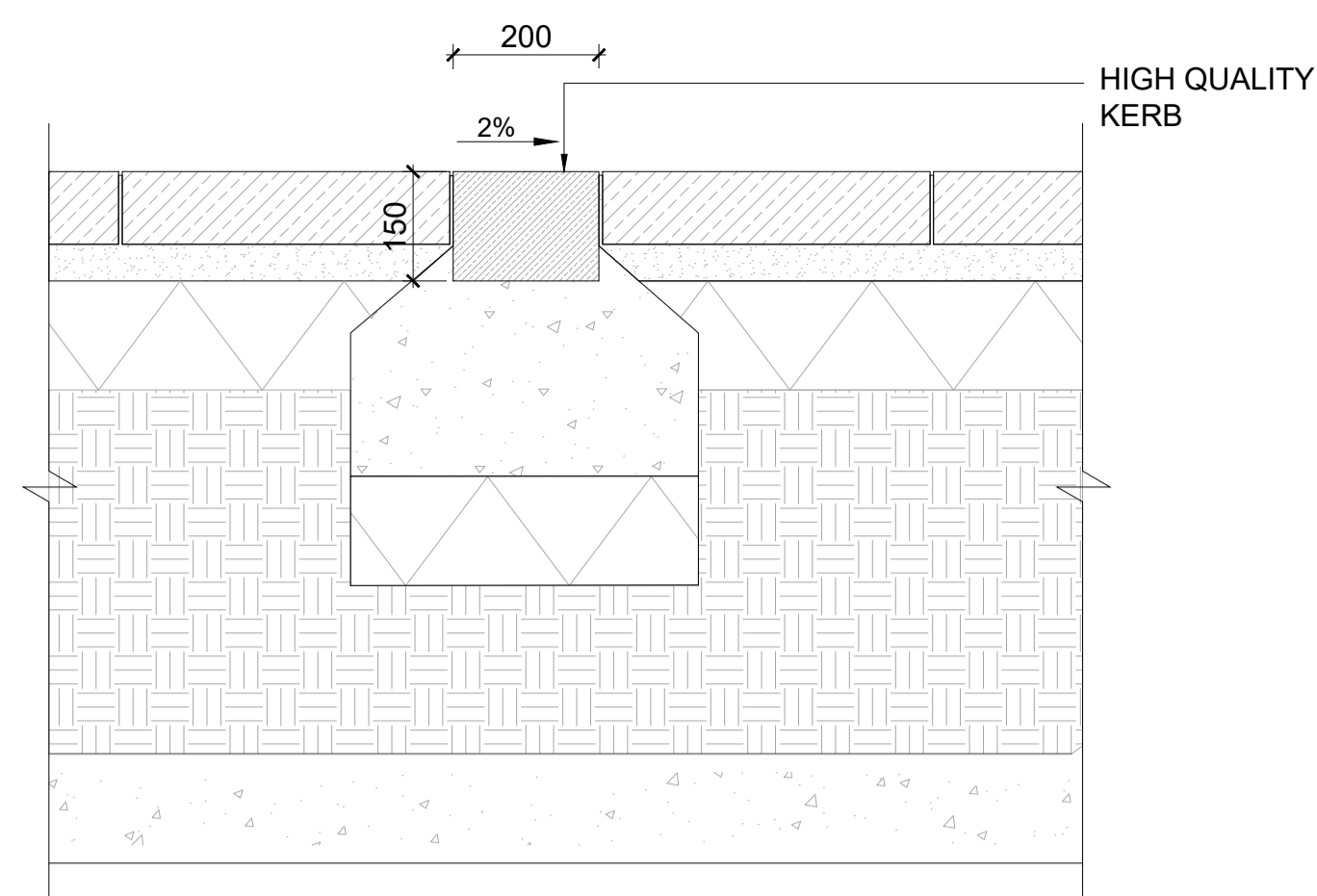
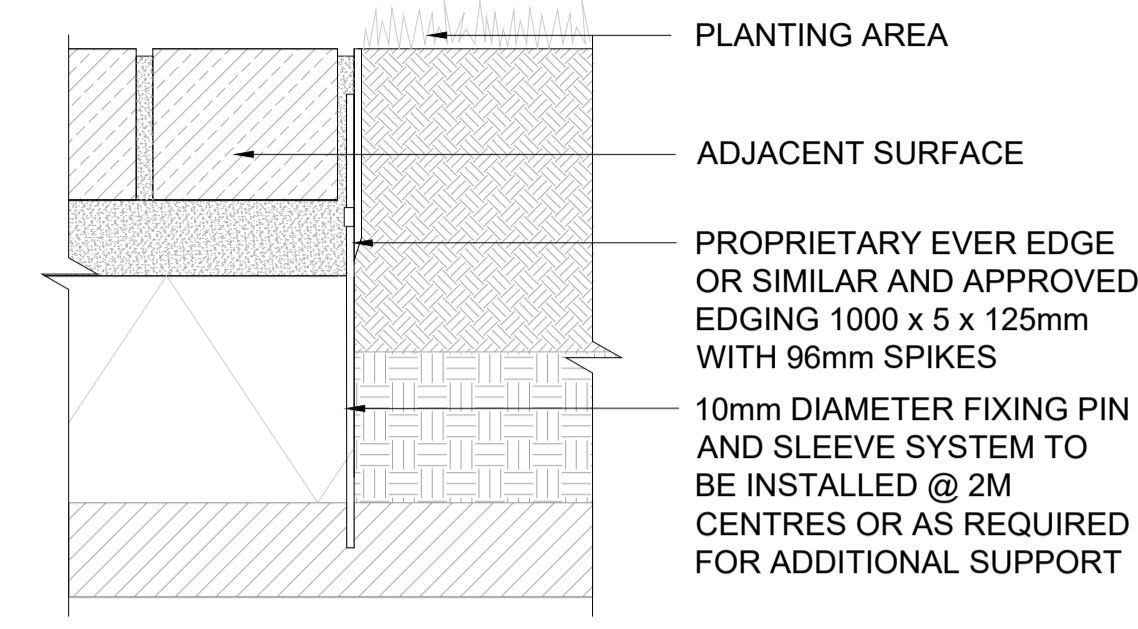


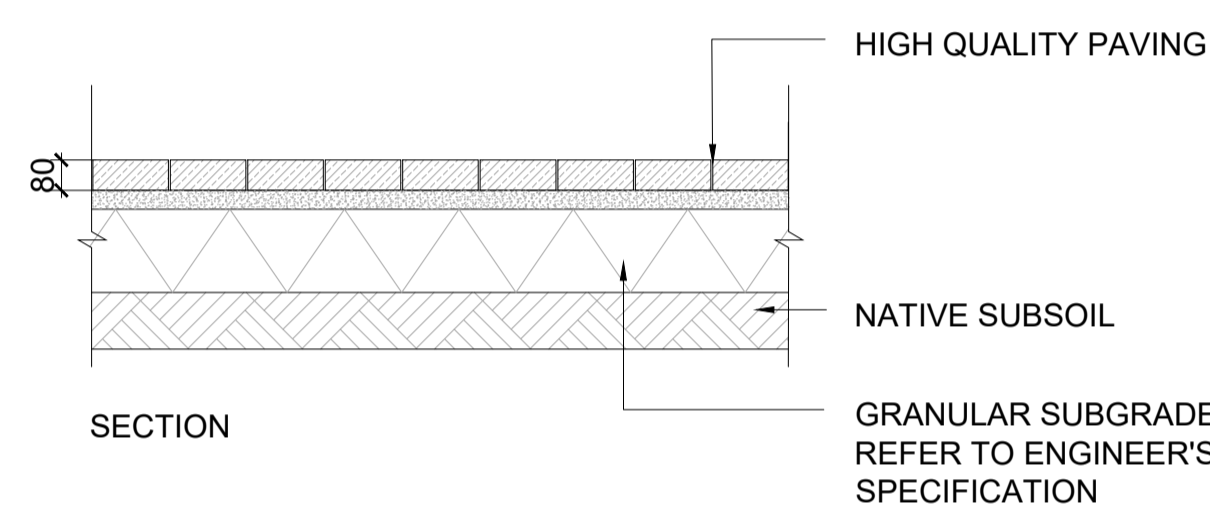
01 RAISED KERB
SCALE: 1:10 @A1



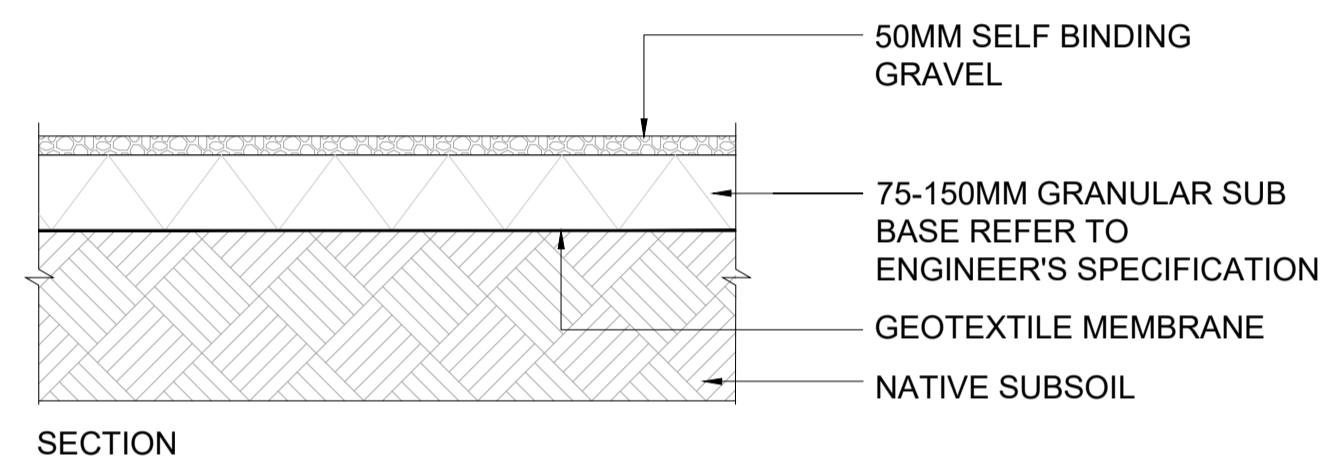
02 FLUSH KERB
SCALE: 1:10 @A1



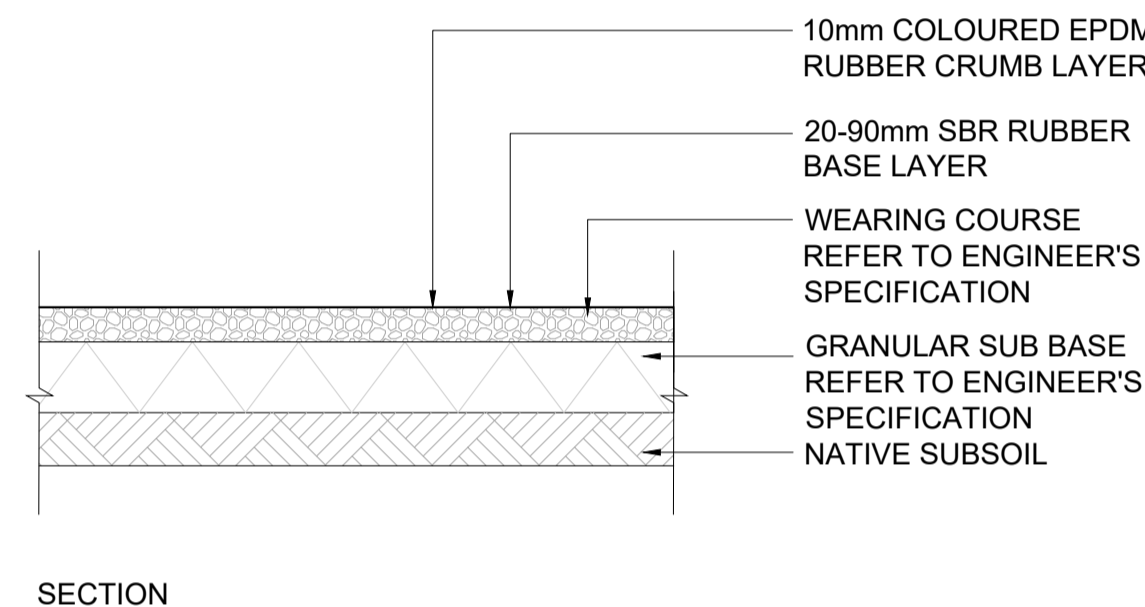
03 TYPICAL STEEL EDGING
SCALE: 1:5 @A1



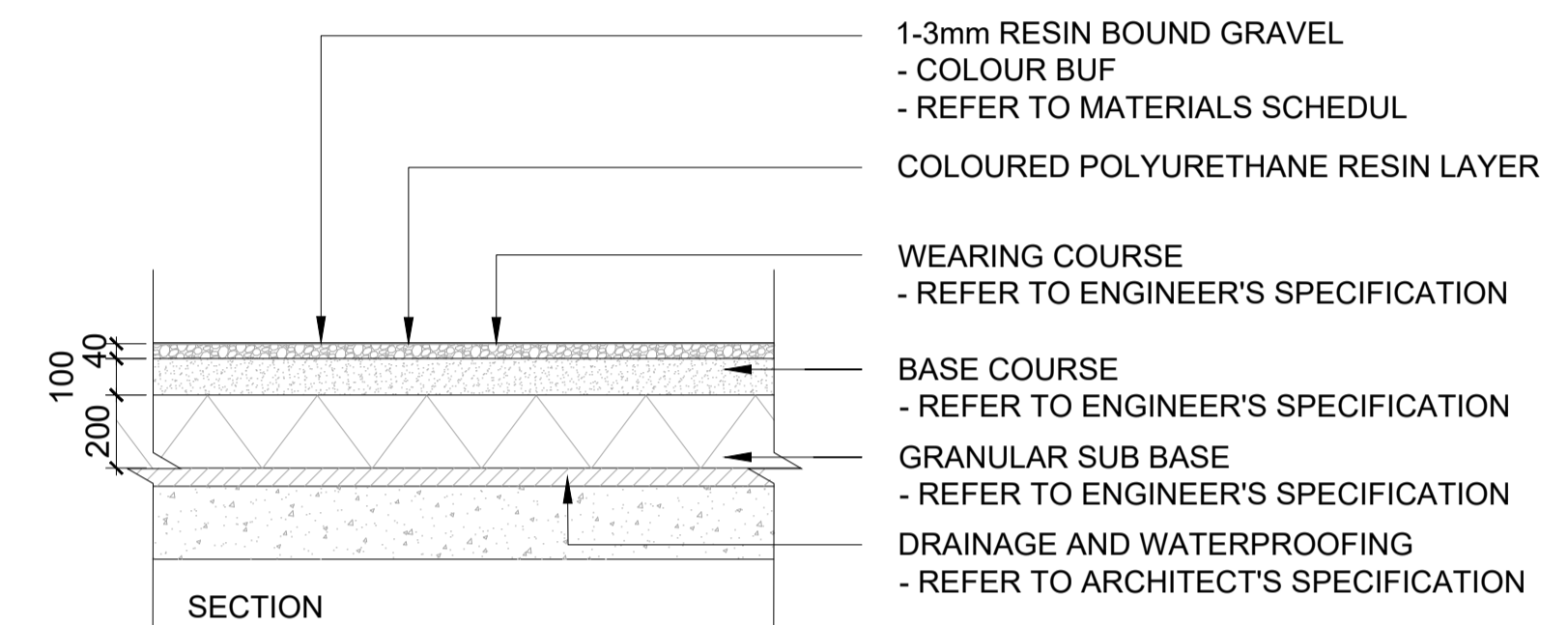
04 HIGH QUALITY PAVING
SCALE: 1:20 @A1



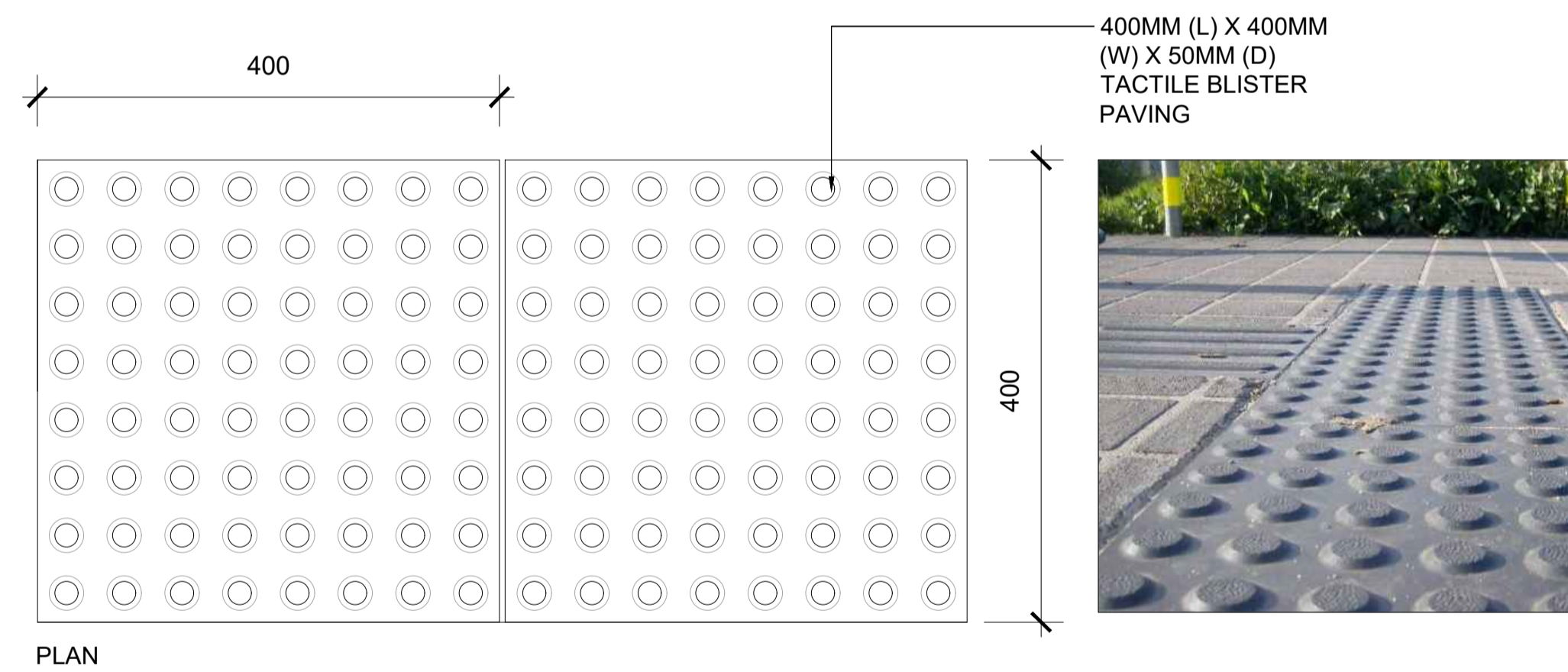
05 TYPICAL SELF BINDING GRAVEL SURFACE
SCALE: 1:20 @A1



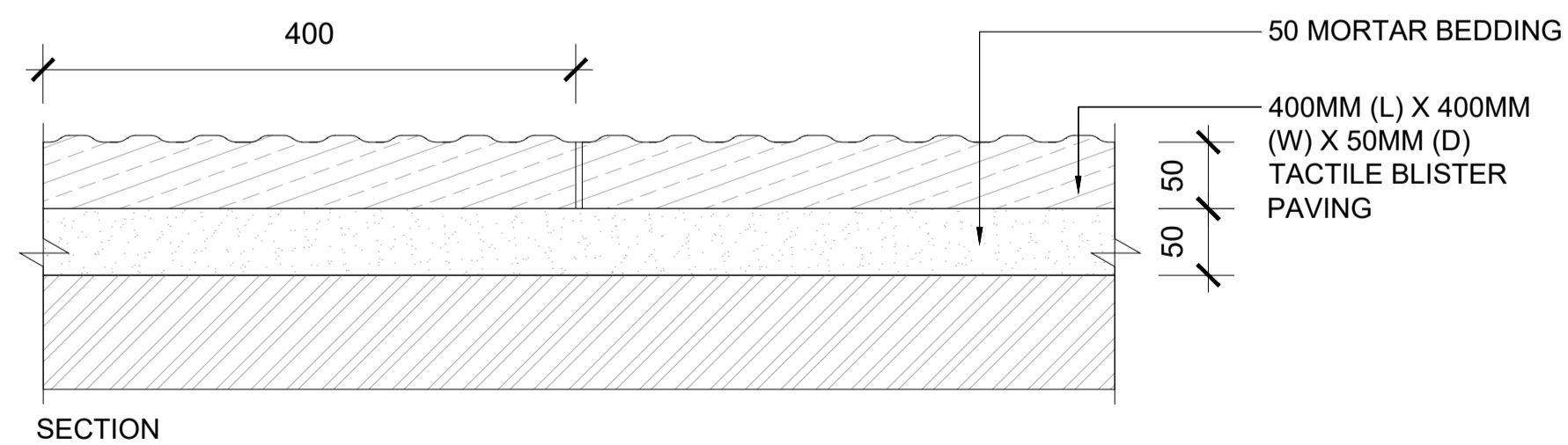
06 TYPICAL SOFT POUR SURFACE
SCALE: 1:20 @A1



07 TYPICAL RESIN BOUND GRAVEL
SCALE: 1:20 @A1

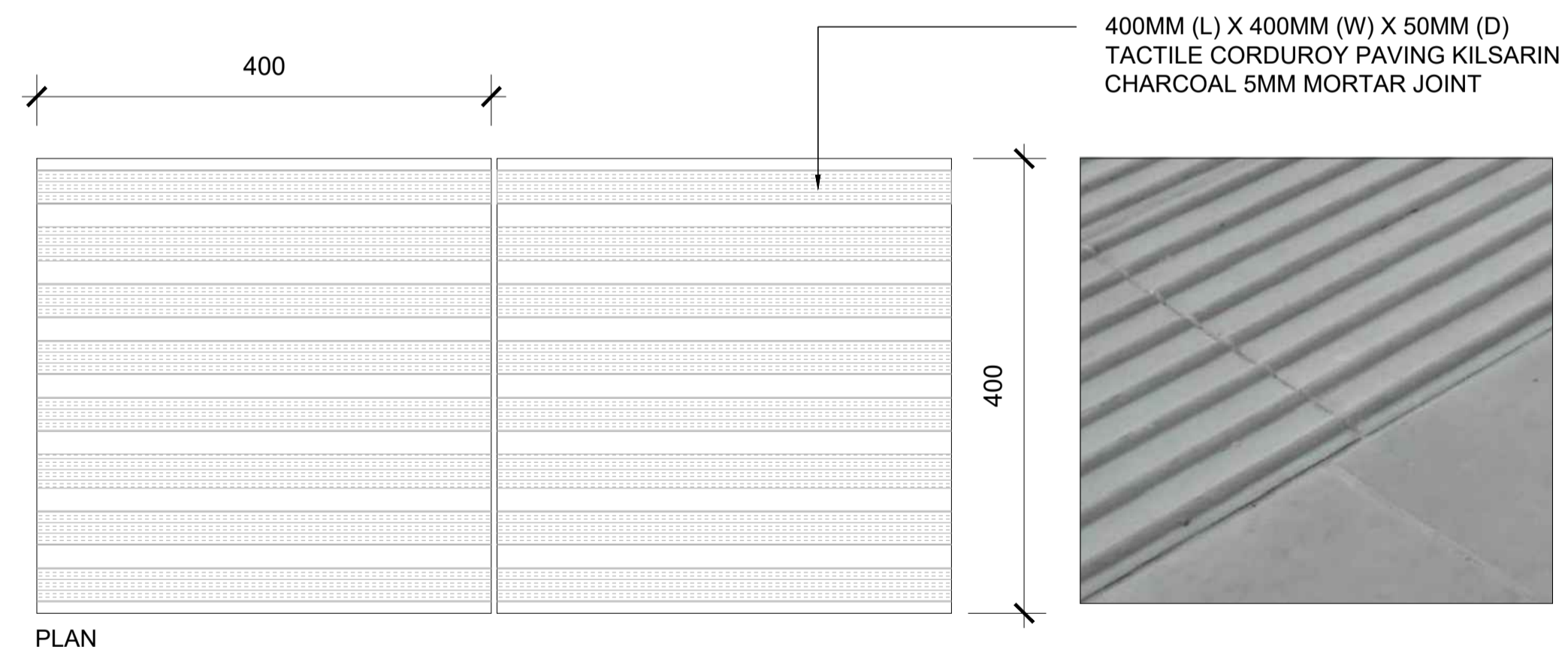


PLAN

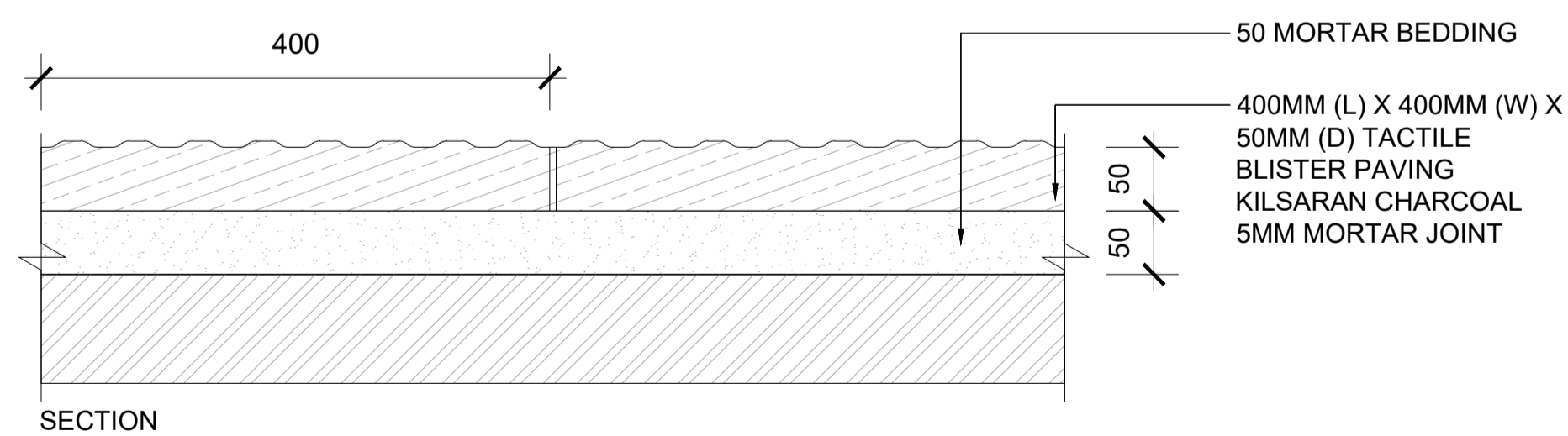


SECTION

08 TYPICAL TACTILE BLISTER PAVING TO CROSSING POINTS
SCALE: 1:5 @A1 - SUBJECT TO FURTHER DETAILED DESIGN



PLAN



SECTION

09 TYPICAL TACTILE CORDUROY PAVING TO TOP + BOTTOM OF STEPS
SCALE: 1:5 @A1 - SUBJECT TO FURTHER DETAILED DESIGN

NOTE
ALL DIMENSIONS TO BE CHECKED ON SITE
NO DIMENSIONS TO BE SCALED FROM THIS DRAWING
THIS DRAWING IS TO BE READ IN CONJUNCTION WITH
RELEVANT CONSULTANTS DRAWINGS
NO PART OF THIS DOCUMENT MAY BE REPRODUCED OR
TRANSMITTED IN ANY FORM OR STORED IN ANY RETRIEVAL
SYSTEM OF ANY NATURE WITHOUT THE WRITTEN PERMISSION
OF THE LANDSCAPE ARCHITECT AS COPYRIGHT HOLDER EXCEPT
AS AGREED FOR USE ON THE PROJECT FOR WHICH THE
DOCUMENT WAS ORIGINALLY ISSUED.
FOR DRAWING INDEX, GENERAL NOTES, REFER TO
DWG L1-001

CLIENT:
Sandyford Environmental Construction Limited



REVISIONS			
Job No.	18A5A	Drawn By	LB
Dwg No.	T-L1-901	Checked By	JM
Scale	N/A @A1	Date	MARCH 2022

JOB DESCRIPTION	
Site	RAVENS ROCK ROAD
Project	TACK SANDYFORD SHD
Title	EDGES AND PAVING